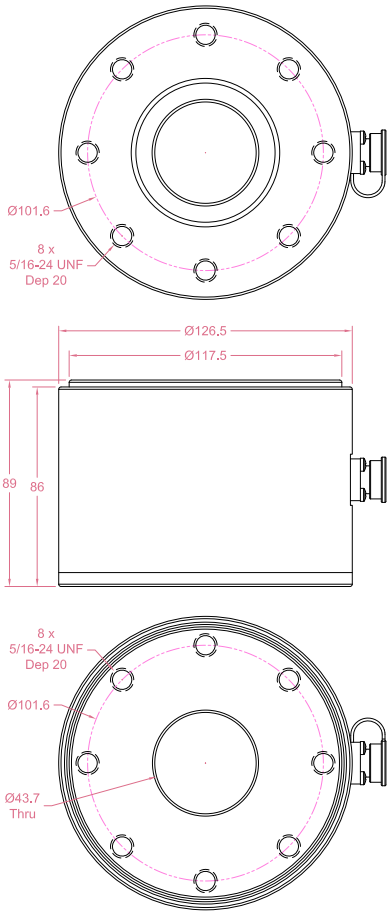


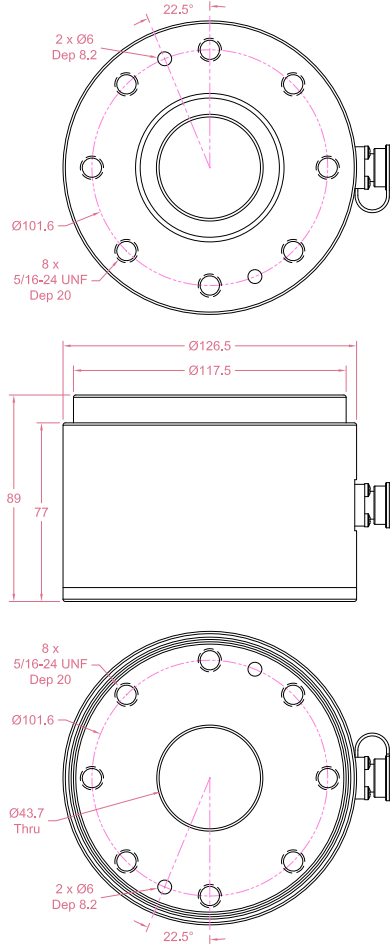


Dimensions in "mm"

MTA600-C



MTA600-A/B/D/E



Order example:  
1 x MTA600-C

Quantity    Ordering part No.

Email to [sales@loadcellsensor.com](mailto:sales@loadcellsensor.com) for a quote

Specifications

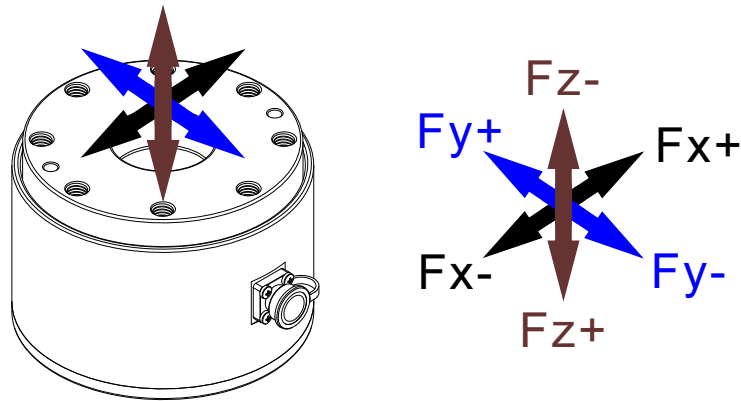
Rated Capacity	Refer to ordering part No.		
Rated Output	Fx/Fy: 1.3~2.0 mV/V Fz: 0.6~1.4 mV/V	Compensated Temp.	0...+40°C
Excitation	3~15V	Operating Temp.	-10...+60°C
Zero Balance	±0.05 mV/V	Temp. Coeff. of Zero	±0.03% F.S./°C
Nonlinearity	±0.5% F.S.	Temp. Coeff. of Span	±0.03% F.S./°C
Hysteresis	±0.5% F.S.	Input Resistance	285±20 Ohms
Nonrepeatability	±0.2% F.S.	Output Resistance	Fx/Fy: 700±50 Ohms Fz: 1400±50 Ohms
Creep(5min)	±0.2% F.S.	Insulation Resistance	>2000M Ohms(50V)
Safe Load Limit	150% F.S.	IP Rating	Standard: IP50 Optional: IP65
Breaking Load	200% F.S.	Element Material	Stainless steel
Cable	Ø5*3000mm 8-conductor shielded cable		

Ordering part No.: Model - Code			
Model	Code	Capacity	
		Fx=Fy	Fz
MTA600	A	600kg	2500kg
	B	1000kg	4000kg
	C	1100kg	2200kg
	D	2000kg	6000kg
	E	3000kg	10000kg
Example: MTA600-D means: Fx capacity: 2000kg Fy capacity: 2000kg Fz capacity: 6000kg			

• LCS reserves the right to modify its design and specifications without notice

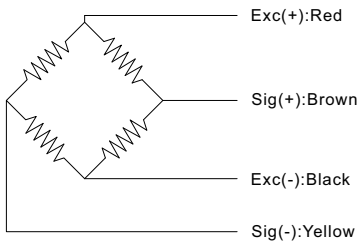


Load direction

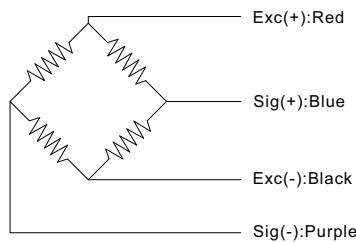


Wiring Code

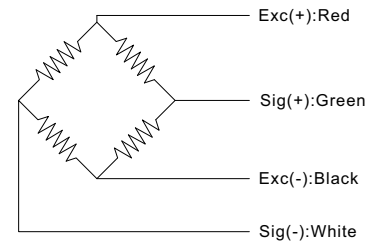
X-axis



Y-axis



Z-axis



Shield is NOT connected to the sensor body

Sensor/Amplifier/Indicator

Items	Power supply	Output/Function
MTA600	3-15V (Constant)	-30mV...+30mV (Depending on the power supply)
MTA600 + Analog amplifier	12~24V DC	0-3.3V,0-5V,0-10V,0-2.5-5V,0-5-10V -3.3-3.3V,-5-5V,-10-10V 0-20mA,4-20mA,4-12-20mA...
MTA600 + Digital amplifier	12~24V DC	RS485 or RS232 output

Email us for datasheet of amplifiers