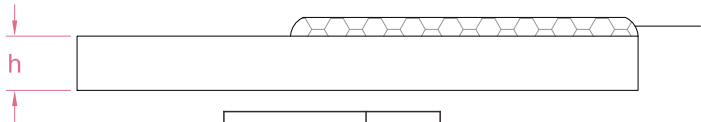
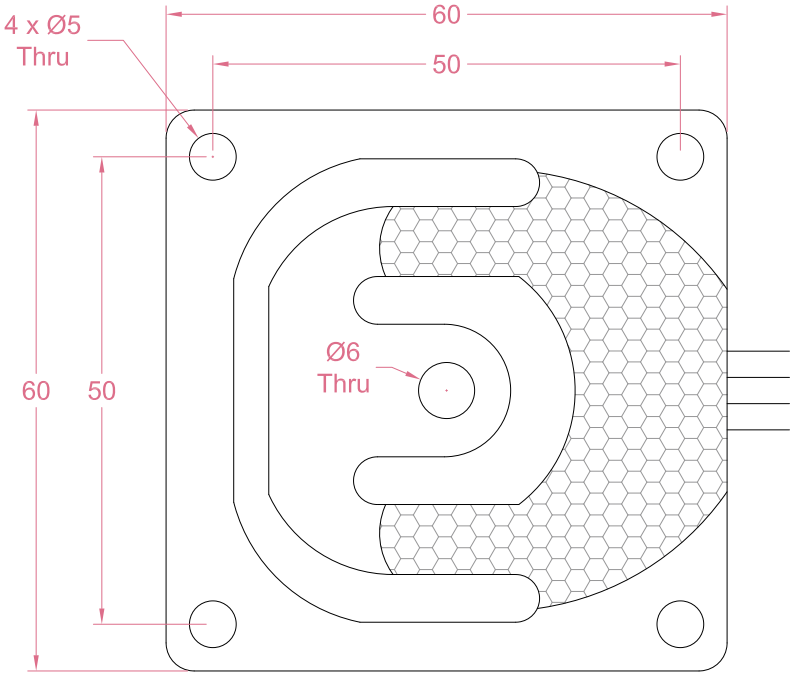




Dimensions in "mm"



Capacity	h
200kg	3.7
500kg	5.6

Order example:

5 x LCA05 - 500kg

Quantity      Model      Capacity

Email to [sales@loadcellsensor.com](mailto:sales@loadcellsensor.com) for a quote

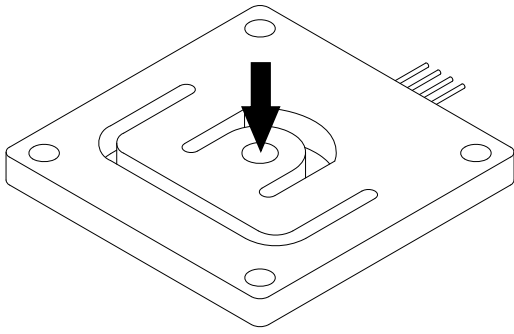
Specifications			
Rated Capacity	200/500 kg		
Rated Output	1.8 mV/V	Compensated Temp.	0...+40°C
Excitation	3~12 V	Operating Temp.	-10...+60°C
Zero Balance	±0.3 mV/V	Temp. Coeff. of Zero	±0.05% F.S./°C
Nonlinearity	±0.3% F.S.	Temp. Coeff. of Span	±0.05% F.S./°C
Hysteresis	±0.3% F.S.	Input Resistance	1000±100 Ohms
Nonrepeatability	±0.1% F.S.	Output Resistance	1000±100 Ohms
Creep(3min)	±0.2% F.S.	Insulation Resistance	>2000M Ohms(50V)
Safe Load Limit	120% F.S.	IP Rating	IP62
Breaking Load	180% F.S.	Element Material	Alloy steel
Cable	4 x AWG28*180mm		

• LCS reserves the right to modify its design and specifications without notice





Load direction



Wiring Code

