



Ordering part No.

Ordering part No.: **Model - Torque capacity - Code**

Model	Torque cap. (Nm)	Code	Power supply	Torque output
RTSE	5 10 15 20 30 50 100 200	A	24V DC	-3.3-3.3V
		B		0-1.65-3.3V
		C		-5-5V
		D		0-2.5-5V
		E		-10-10V
		F		0-5V-10V
		G	4-12-20mA	
		H	12V DC	-3.3-3.3V
		I		0-1.65-3.3V
		J		-5-5V
		K		0-2.5-5V
		L		4-12-20mA

Example: **RTSE-100-C** means:  
Power supply: 24V DC  
Torque: -100Nm~100Nm VS -5-5V  
Angle: 2048 pulses per Revolution

Wiring code	
Red	Power+
Black	Power-
Green	Torque output+
White	Output-
Yellow	Angle A
Blue	Angle B



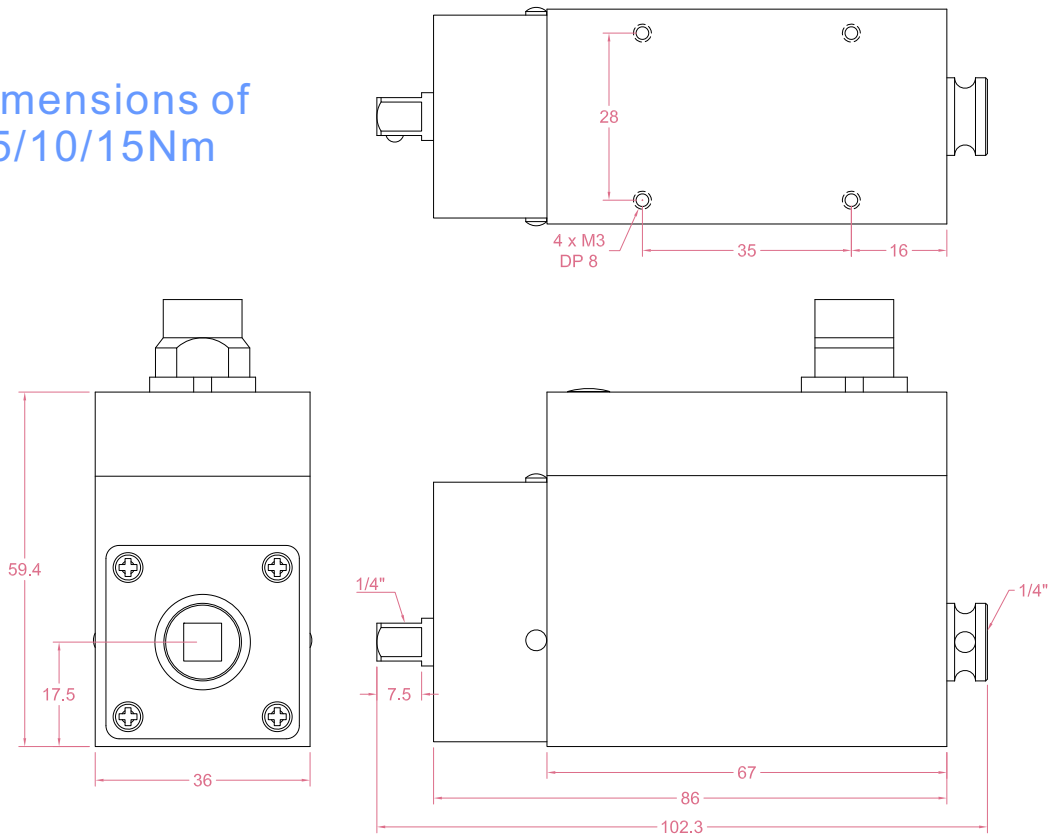
Specifications	
Torque Capacity	5/10/15/20/30/50/100/200Nm
Maximum Speed	6000RPM
Power Supply	12 or 24V DC
Angle Output	5~15Nm: 1024 pulses per Rev. 20~200Nm: 2048 pulses per Rev.
Torque Output	Refer to ordering part No.
Sampling Rate	200Hz
Nonlinearity	±0.2% F.S.
Hysteresis	±0.2% F.S.
Nonrepeatability	±0.1% F.S.
Creep(5min)	±0.1% F.S.
Safe Torque Limit	150% F.S.
Breaking Torque	200% F.S.
Operating Temp.	-10...+60°C
Temp. Coeff. of Zero	±0.02% F.S./°C
Temp. Coeff. of Span	±0.02% F.S./°C
IP Rating	IP40
Element Material	Stainless steel
Housing Material	Aluminum alloy
Cable	Ø6*5000mm with mating connector

• LCS reserves the right to modify its design and specifications without notice

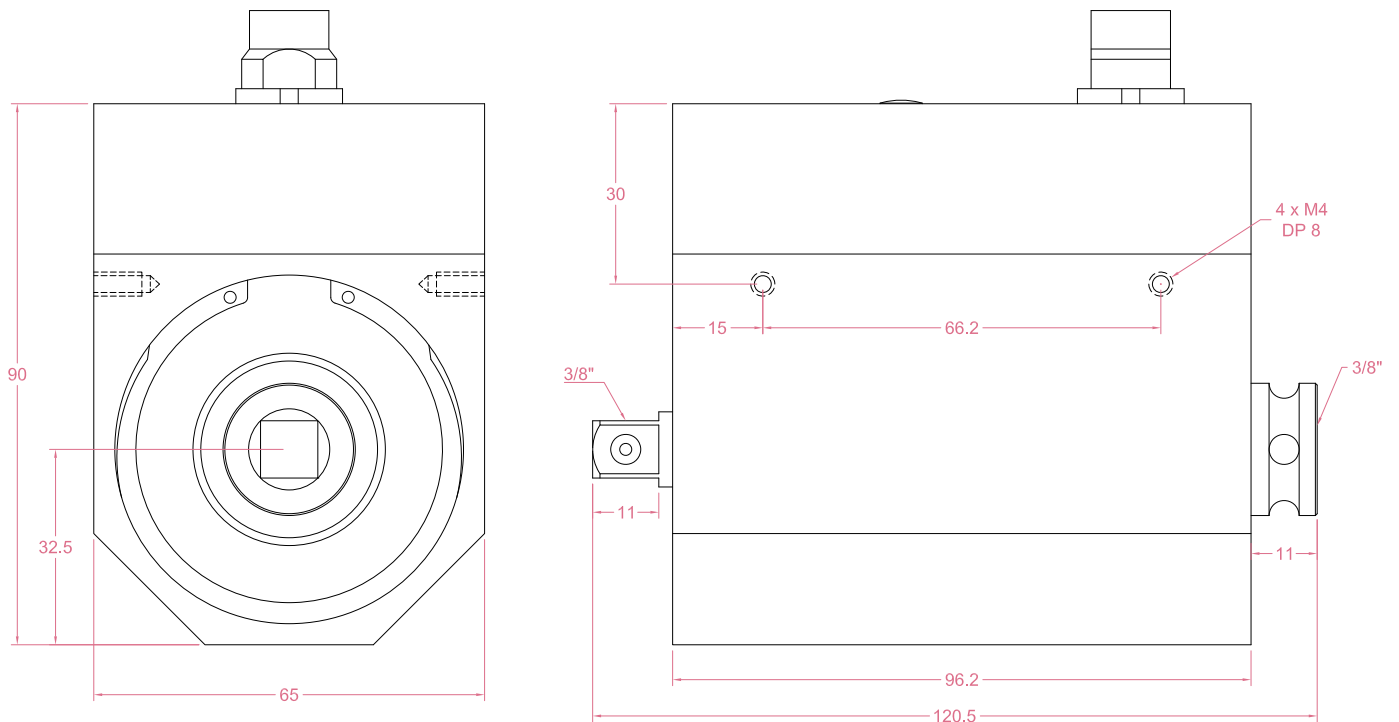


Dimensions in "mm"

### Dimensions of 5/10/15Nm



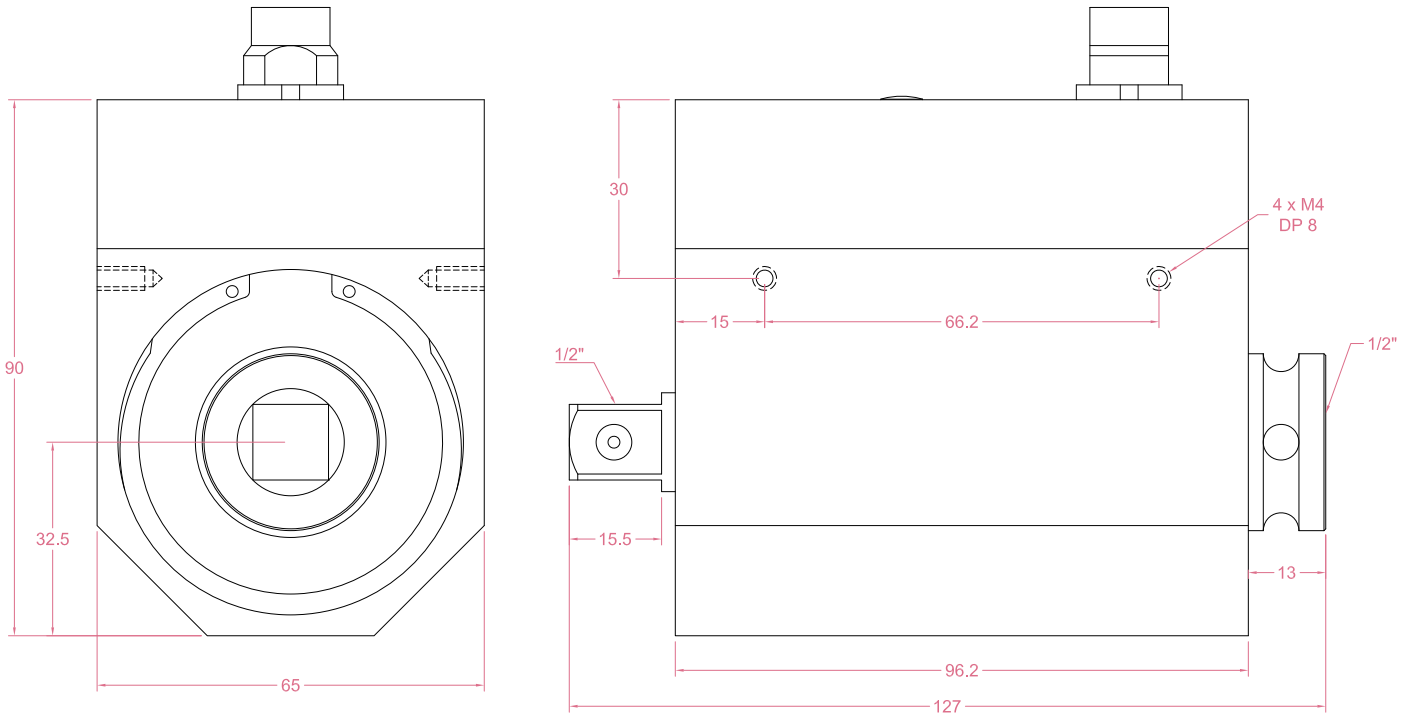
### Dimensions of 20/30/50Nm





Dimensions in "mm"

### Dimensions of 100/200Nm



### Cable Options

