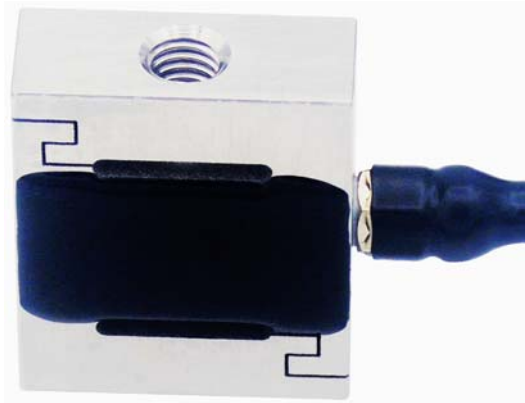
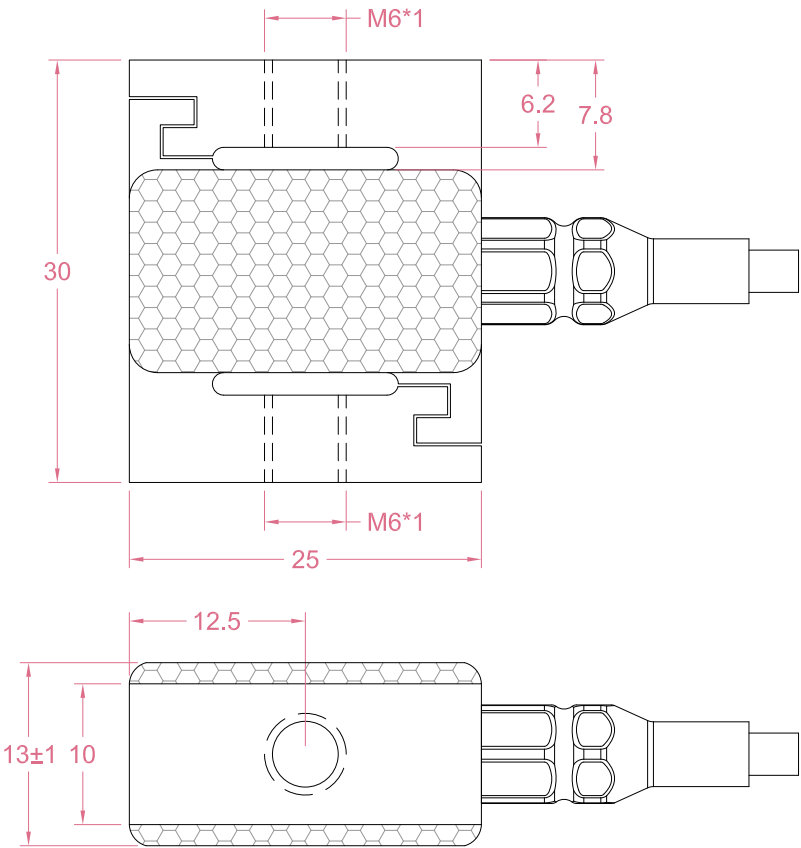




Dimensions in "mm"



Order example:

1 x LCSD - 50kg

Quantity Model Capacity

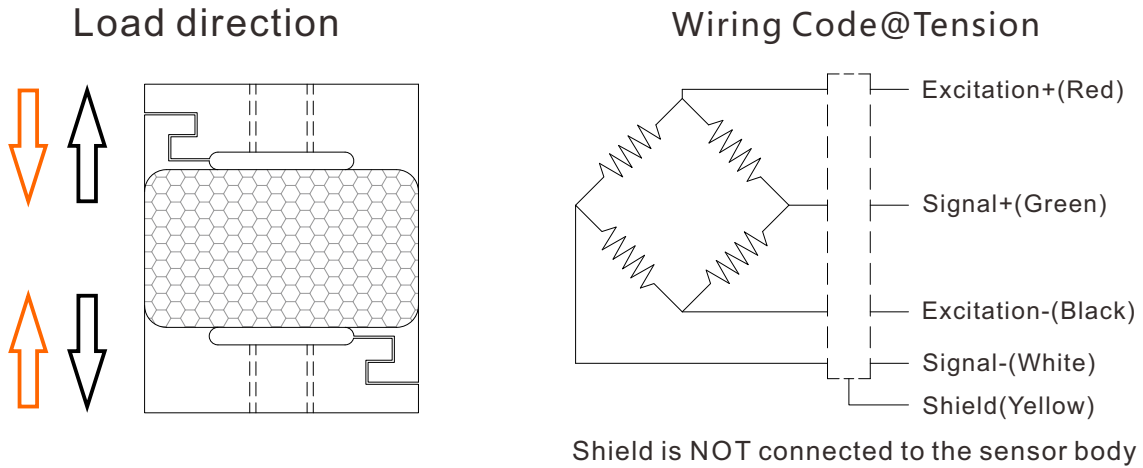
Email to sales@loadcellsensor.com for a quote

Water resistance: Up to 3m in fresh water for 2 weeks.

Specifications			
Rated Capacity	10/20/50 kg		
Rated Output	1.2~1.8 mV/V	Compensated Temp.	0...+40°C
Excitation	3~12V	Operating Temp.	-20...+60°C
Zero Balance	±0.1 mV/V	Temp. Coeff. of Zero	±0.03% F.S./°C
Nonlinearity	±0.3% F.S.	Temp. Coeff. of Span	±0.02% F.S./°C
Hysteresis	±0.3% F.S.	Input Resistance	380±30 Ohms
Nonrepeatability	±0.1% F.S.	Output Resistance	350±5 Ohms
Creep(3min)	±0.2% F.S.	Insulation Resistance	>2000M Ohms(50V)
Safe Load Limit	150% F.S.	IP Rating	IP68
Breaking Load	200% F.S.	Element Material	Stainless steel
Cable	Ø3*5000mm 4-conductor shielded cable		

• LCS reserves the right to modify its design and specifications without notice





Sensor/Amplifier/Indicator

Items	Power supply	Output/Function
LCSD	3-12V (Constant)	-22mV...+22mV (Depending on the power supply)
LCSD + Analog amplifier	12~24V DC	0-3.3V,0-5V,0-10V,0-2.5-5V,0-5-10V -3.3-3.3V,-5-5V,-10-10V 0-20mA,4-20mA,4-12-20mA...
LCSD + Digital amplifier	12~24V DC	RS485 or RS232 output
LCSD + Indicator	12~24V DC	Display force value Switch/Relay output Peak holding RS485/RS232 interface 0-5V/0-10V/4-20mA output

[Email us for datasheet of amplifier and indicator](#)

Customization options

Dimensions and measuring range (Up to 100 ton)
Output signal (mV/V, 0-5V, 4-20mA, RS485)
Working Temperature (-40°C...+200°C)
Ingress protection (Up to IP68)