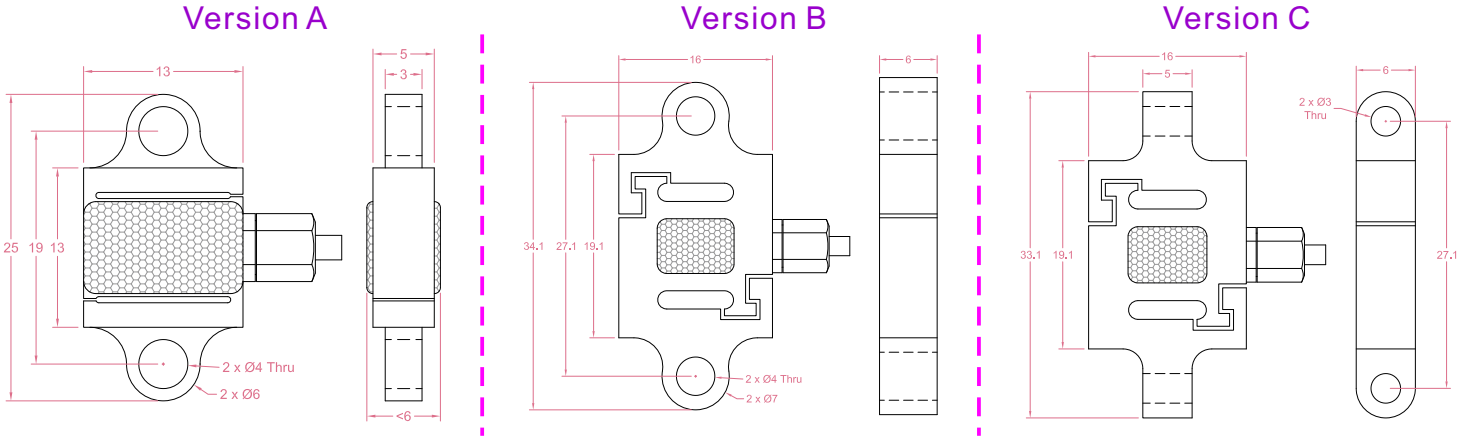




Dimensions in "mm"



Order example:

3 x LCS11- 5kg - A

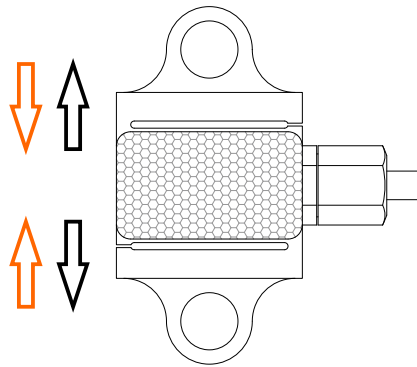
Quantity    Model    Capacity    Version  
Email to [sales@loadcellsensor.com](mailto:sales@loadcellsensor.com) for a quote

| Specifications   |  |                       |                  |
|------------------|--|-----------------------|------------------|
| Rated Capacity   | Version A: 1/2/5/10/20 kg<br>Version B&C: 5/10/20/30/50 kg |                       |                  |
| Rated Output     | 2.0 mV/V   | Compensated Temp.     | 0...+40°C        |
| Excitation       | 3~12V  | Operating Temp.       | -20...+60°C      |
| Zero Balance     | ±0.1 mV/V  | Temp. Coeff. of Zero  | ±0.03% F.S./°C   |
| Nonlinearity     | ±0.2% F.S.   | Temp. Coeff. of Span  | ±0.02% F.S./°C   |
| Hysteresis       | ±0.2% F.S.   | Input Resistance      | 380/500±50 Ohms  |
| Nonrepeatability | ±0.1% F.S.   | Output Resistance     | 350/500±30 Ohms  |
| Creep(3min)      | ±0.1% F.S.   | Insulation Resistance | >2000M Ohms(50V) |
| Safe Load Limit  | 150% F.S.  | IP Rating             | IP62             |
| Breaking Load    | 200% F.S.  | Element Material      | Stainless steel  |
| Cable            | Ø1.8*3000mm 4-conductor shielded cable                     |                       |                  |

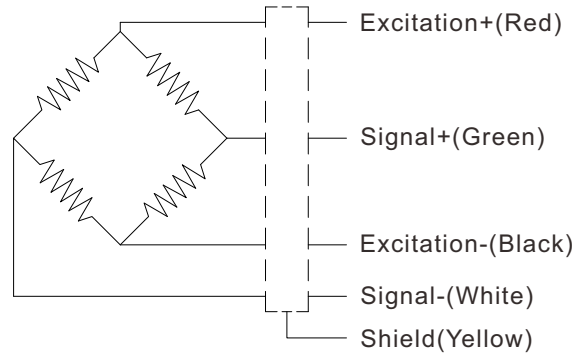
• LCS reserves the right to modify its design and specifications without notice



Load direction



Wiring Code@Tension



Shield is NOT connected to the sensor body

### Sensor/Amplifier/Indicator

| Items                           | Power supply        | Output/Function   |
|---------------------------------|---------------------|---|
| LCS11                           | 3-12V<br>(Constant) | -24mV...+24mV<br>(Depending on the power supply)  |
| LCS11<br>+<br>Analog amplifier  | 12~24V DC           | 0-3.3V,0-5V,0-10V,0-2.5-5V,0-5-10V<br>-3.3-3.3V,-5-5V,-10-10V<br>0-20mA,4-20mA,4-12-20mA...                     |
| LCS11<br>+<br>Digital amplifier | 12~24V DC           | RS485 or RS232 output   |
| LCS11<br>+<br>Indicator         | 12~24V DC           | Display force value<br>Switch/Relay output<br>Peak holding<br>RS485/RS232 interface<br>0-5V/0-10V/4-20mA output |

[Email us for datasheet of amplifier and indicator](#)

### Customization options

|   |
|---|
| Cable<br>(Length/Specifications/Connectors) |
| Dimensions and measuring range              |
| IP Rating<br>(Up to IP68)                   |