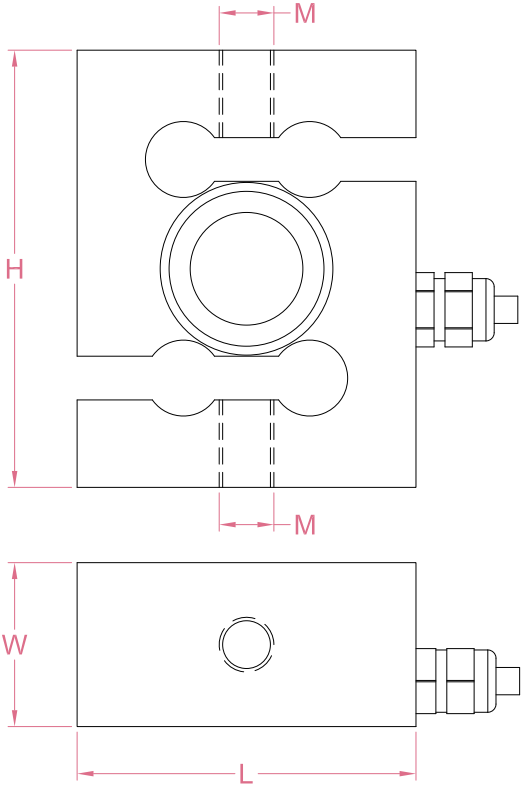




Dimensions in "mm"



Order example:

2 x LCS14 - 1t

Quantity Model Capacity

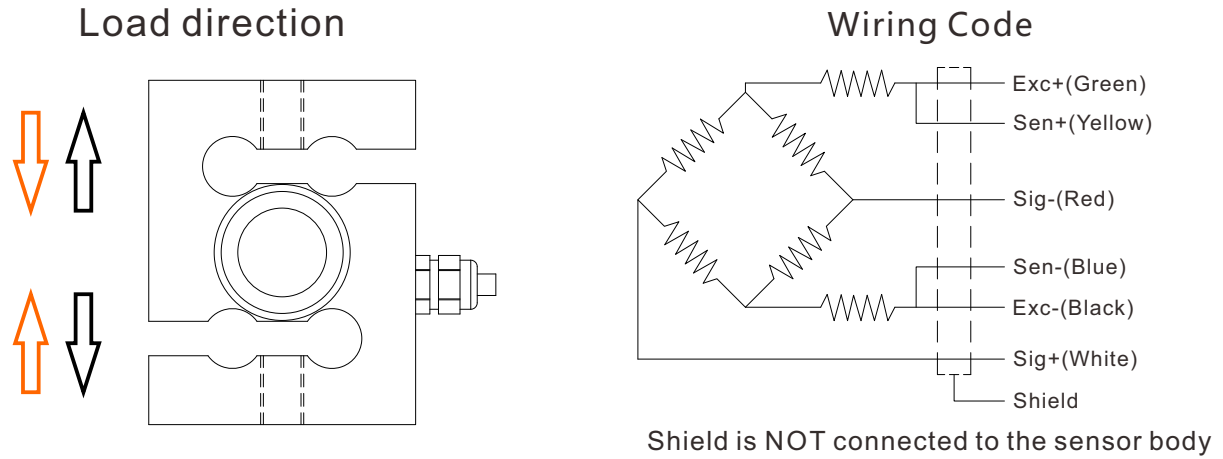
Email to sales@loadcellsensor.com for a quote

| Capacity | L | W | H | M |
|------------|----|----|-----|---------|
| 0.2/0.5/1t | 62 | 30 | 80 | M10*1 |
| 2t | 71 | 45 | 90 | M16*1.5 |
| 3t | 80 | 50 | 100 | M18*1.5 |
| 5t | 92 | 58 | 130 | M20*2 |

| Specifications | | | |
|------------------|--|-----------------------|------------------|
| Rated Capacity | 0.2/0.5/1/2/3/5 ton | | |
| Rated Output | 2.0 mV/V | Compensated Temp. | 0...+40°C |
| Excitation | 3~15V | Operating Temp. | -20...+65°C |
| Zero Balance | ±0.03 mV/V | Temp. Coeff. of Zero | ±0.005% F.S./°C |
| Nonlinearity | ±0.03% F.S. | Temp. Coeff. of Span | ±0.005% F.S./°C |
| Hysteresis | ±0.03% F.S. | Input Resistance | 385±50 Ohms |
| Nonrepeatability | ±0.03% F.S. | Output Resistance | 352±5 Ohms |
| Creep(5min) | ±0.03% F.S. | Insulation Resistance | >2000M Ohms(50V) |
| Safe Load Limit | 150% F.S. | IP Rating | IP67 |
| Breaking Load | 200% F.S. | Element Material | Stainless steel |
| Cable | Ø5.8*6000mm 6-conductor shielded cable | | |

• LCS reserves the right to modify its design and specifications without notice





Sensor/Amplifier/Indicator

| Items | Power supply | Output/Function |
|---|---------------------|---|
| LCS14 | 3-15V (Constant) | -30mV...+30mV (Depending on the power supply) |
| LCS14 + Analog amplifier | 12~24V DC | 0-3.3V,0-5V,0-10V,0-2.5-5V,0-5-10V -3.3-3.3V,-5-5V,-10-10V 0-20mA,4-20mA,4-12-20mA... |
| LCS14 + Digital amplifier | 12~24V DC | RS485 or RS232 output |
| LCS14 + Indicator | 12~24V DC | Display force value Switch/Relay output Peak holding RS485/RS232 interface 0-5V/0-10V/4-20mA output |
| Email us for datasheet of amplifier and indicator | | |