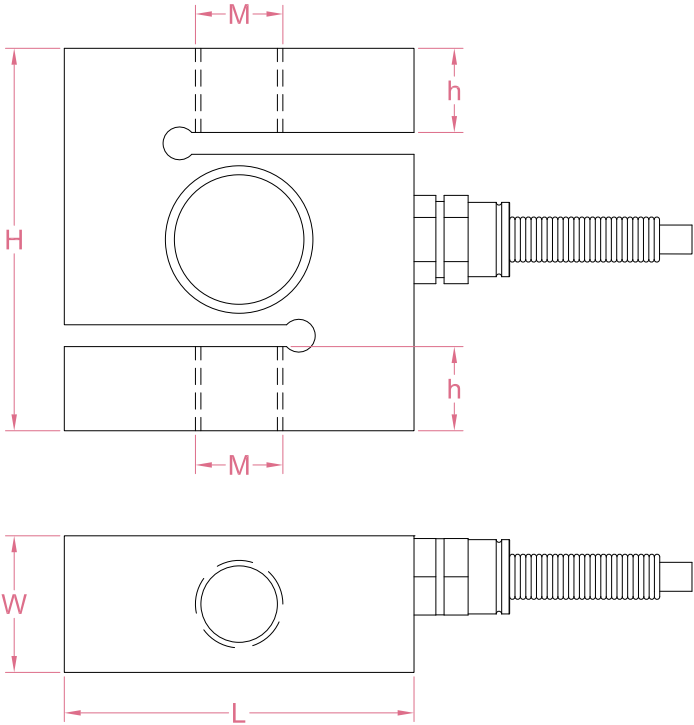




Dimensions in "mm"



Capacity	L	W	H	h	M	Price
0.3/0.5t	60	25	70	16	M12*1.75	39usd/pc
1t	60	25	70	16	M16*2	40usd/pc
1.5/2t	64	25	70	16	M16*2	42usd/pc
3/5t	86	35	94	25	M18*1.5	69usd/pc
10t	110	60	137	38	M30*2	109usd/pc

Order example:

2 x LCS11 - 1t

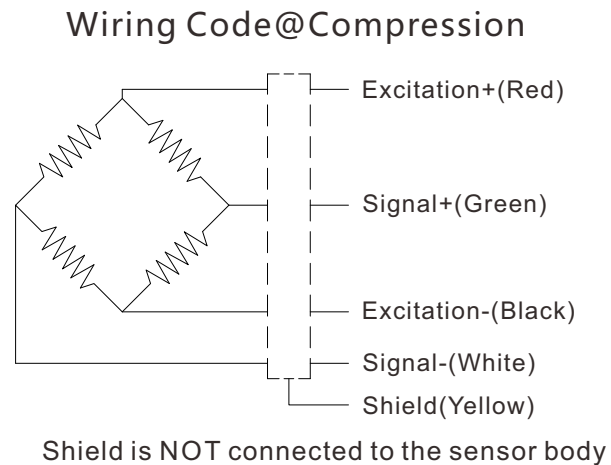
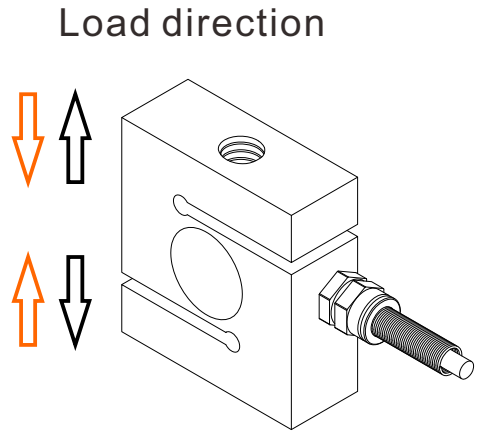
Quantity Model Capacity

Email to sales@loadcellsensor.com for a quote

Specifications			
Rated Capacity	0.3/0.5/1/1.5/2/3/5/10 ton		
Rated Output	2.0 mV/V	Compensated Temp.	0...+40°C
Excitation	3~15V	Operating Temp.	-20...+60°C
Zero Balance	±0.06 mV/V	Temp. Coeff. of Zero	±0.005% F.S./°C
Nonlinearity	±0.05% F.S. 10t:±0.1% F.S.	Temp. Coeff. of Span	±0.005% F.S./°C
Hysteresis	±0.05% F.S. 10t:±0.1% F.S.	Input Resistance	385±50 Ohms
Nonrepeatability	±0.05% F.S.	Output Resistance	352±5 Ohms
Creep(5min)	±0.05% F.S.	Insulation Resistance	>2000M Ohms(50V)
Safe Load Limit	150% F.S.	IP Rating	IP65
Breaking Load	180% F.S.	Element Material	Alloy steel
Cable	Ø5.5*2000mm 4-conductor shielded cable		

• LCS reserves the right to modify its design and specifications without notice





Sensor/Amplifier/Indicator

Items	Power supply	Output/Function
LCS11	3-15V (Constant)	-30mV...+30mV (Depending on the power supply)
LCS11 + Analog amplifier	12~24V DC	0-3.3V,0-5V,0-10V,0-2.5-5V,0-5-10V -3.3-3.3V,-5-5V,-10-10V 0-20mA,4-20mA,4-12-20mA...
LCS11 + Digital amplifier	12~24V DC	RS485 or RS232 output
LCS11 + Indicator	12~24V DC	Display force value Switch/Relay output Peak holding RS485/RS232 interface 0-5V/0-10V/4-20mA output

[Email us for datasheet of amplifier and indicator](mailto:sales@loadcellsensor.com)