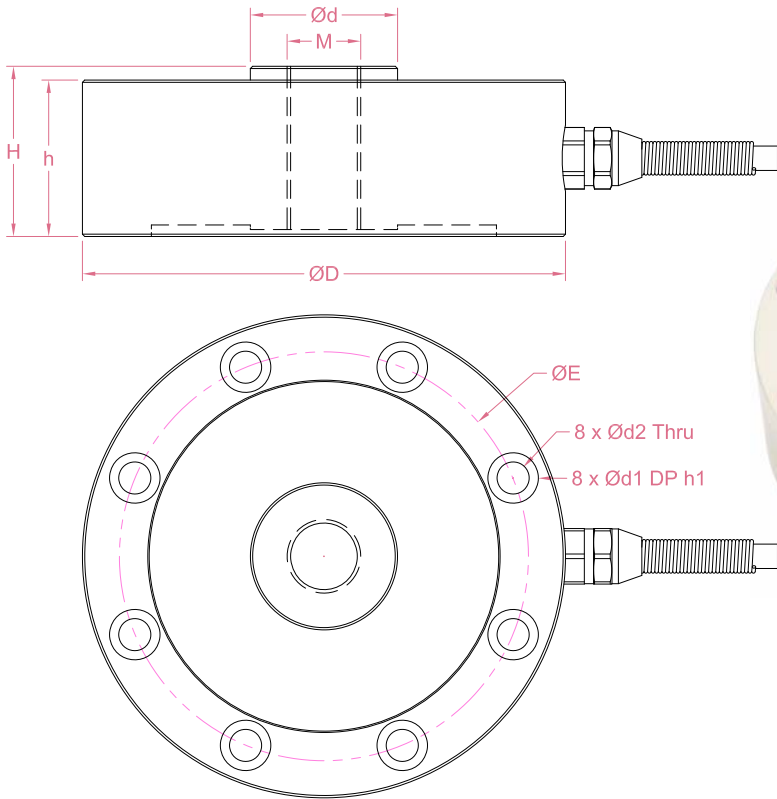




Dimensions in "mm"



Order example:

2 x LCP04 - 50kN

Quantity Model Capacity

Email to sales@loadcellsensor.com for a quote

Capacity	D	H	h	d	d2	d1	h1	E	M
10/20/30/50kN	105	37	34	32	7	11	7.2	89	M16*1.5
100/200kN	120.6	53.5	41	39	9	14	10.5	101.8	M32*1.5
300kN	141	57.2	50.8	50.4	11	18	11	116.8	M40*1.5

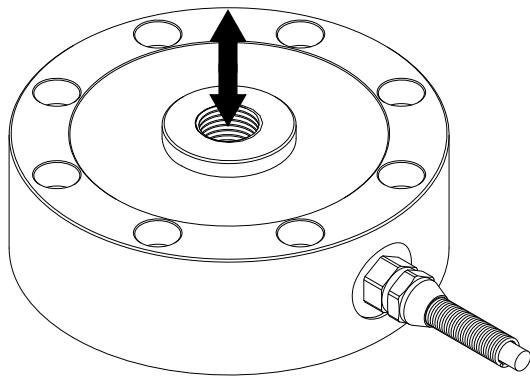
Specifications			
Rated Capacity	10/20/30/50/100/200/300 kN		
Rated Output	2.0 mV/V	Compensated Temp.	0...+40°C
Excitation	3~15V	Operating Temp.	-20...+65°C
Zero Balance	±0.05 mV/V	Temp. Coeff. of Zero	±0.005% F.S./°C
Nonlinearity	±0.1% F.S.	Temp. Coeff. of Span	±0.005% F.S./°C
Hysteresis	±0.1% F.S.	Input Resistance	700±100 Ohms
Nonrepeatability	±0.05% F.S.	Output Resistance	700±100 Ohms
Creep(5min)	±0.05% F.S.	Insulation Resistance	>2000M Ohms(50V)
Safe Load Limit	150% F.S.	IP Rating	IP66
Breaking Load	180% F.S.	Element Material	Alloy steel
Cable	Ø5*3000mm 4-conductor shielded cable		

• LCS reserves the right to modify its design and specifications without notice

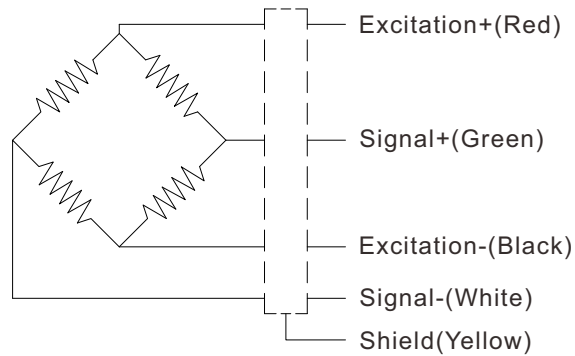




Load direction



Wiring Code@Compression



Shield is NOT connected to the sensor body

Sensor/Amplifier/Indicator

Items	Power supply	Output/Function
LCP04	3-15V (Constant)	-30mV...+30mV (Depending on the power supply)
LCP04 + Analog amplifier	12~24V DC	0-3.3V,0-5V,0-10V, -5-5V,-10-10V,0-5-10V 0-20mA,4-20mA,4-12-20mA...
LCP04 + Digital amplifier	12~24V DC	RS485 or RS232 output
LCP04 + Indicator	12~24V DC	Display force value Switch/Relay output Peak holding RS485/RS232 interface 0-5V/0-10V/4-20mA output

[Email us for datasheet of amplifier and indicator](#)

Customization options

Cable (Length/Specifications/Connectors)
Dimensions and measuring range
Working Temperature (-30°C...+130°C)

