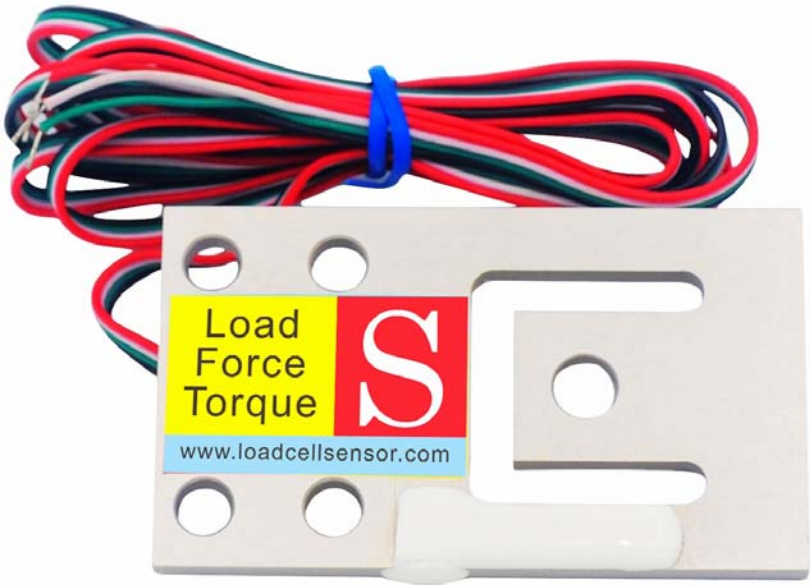
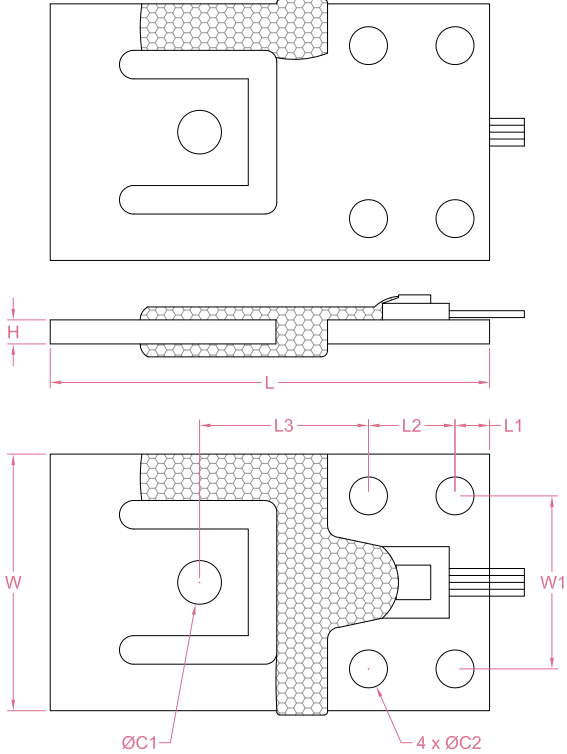




Dimensions in "mm"



Capacity	L	W	H	W1	L1	L2	L3	C1	C2
3.75kg	70	39	1.55	27.8	4.9	14	28	5.1	5.1
7.5kg	70	39	2.22	27.8	4.9	14	28	5.1	5.1
15kg	70	39	3.14	27.8	4.9	14	28	7.6	5.1
37.5kg	76.2	44.5	4.08	30	6	15	29.3	7.6	6.6
75kg	84.4	54.8	6.4	30	6.4	15	34	7.6	6.6
150kg	107.3	69.9	7.9	44.5	7.8	22.9	45.9	M10	8.1
375kg	119.4	76.1	10.7	50.8	9.2	25.4	52.6	9.1	9.8

Order example:

8 x LCA03 - 150kg

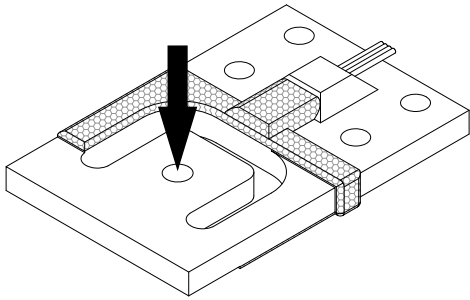
Quantity Model Capacity
 Email to sales@loadcellsensor.com for a quote

Specifications			
Rated Capacity	3.75/7.5/15/37.5/75/150/375 kg		
Rated Output	1.0±0.002 mV/V	Compensated Temp.	-10...+40°C
Excitation	3~15V	Operating Temp.	-30...+65°C
Zero Balance	±0.05 mV/V	Temp. Coeff. of Zero	±0.002% F.S./°C
Nonlinearity	±0.02% F.S.	Temp. Coeff. of Span	±0.002% F.S./°C
Hysteresis	±0.02% F.S.	Input Resistance	1100±100 Ohms
Nonrepeatability	±0.02% F.S.	Output Resistance	1000±10 Ohms
Creep(30min)	±0.02% F.S.	Insulation Resistance	>2000M Ohms(50V)
Safe Load Limit	150% F.S.	IP Rating	IP65
Breaking Load	180% F.S.	Element Material	Aluminum alloy
Cable	4 x AWG28*1000mm		

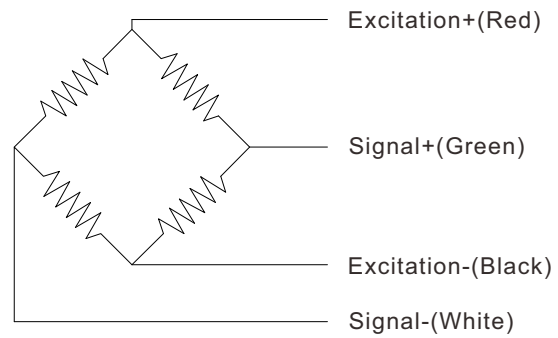
• LCS reserves the right to modify its design and specifications without notice



Load direction



Wiring Code



Sensor/Amplifier/Indicator

Items	Power supply	Output/Function
LCA03	3-15V (Constant)	0mV...+15mV (Depending on the power supply and capacity)
LCA03 + Analog amplifier	12~24V DC	0-3.3V,0-5V,0-10V, 0-20mA,4-20mA...
LCA03 + Digital amplifier	12~24V DC	RS485 or RS232 output
LCA03 + Indicator	12~24V DC	Display force value Switch/Relay output Peak holding RS485/RS232 interface 0-5V/0-10V/4-20mA output
Email us for datasheet of amplifier and indicator		