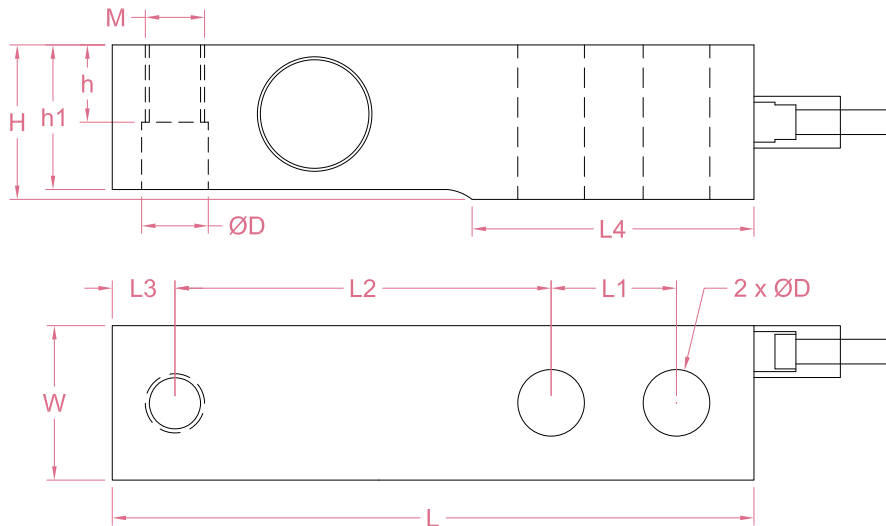




Dimensions in "mm"

| Capacity   | L     | W    | H    | L1   | L2    | L3   | L4    | h1   | h    | D    | M        |
|------------|-------|------|------|------|-------|------|-------|------|------|------|----------|
| 0.5t       | 130   | 31.3 | 31.3 | 25.4 | 76.2  | 12.7 | 57.1  | 24.8 | 15.6 | 13.5 | M12*1.75 |
| 1t         |       |      |      |      |       |      |       | 26   |      |      |          |
| 1.5t/2t    |       |      |      |      |       |      |       | 29.2 |      |      |          |
| 2.5t/3t/5t | 171.5 | 36.8 | 36.8 | 38.1 | 95.2  | 19.1 | 76.2  | 34.8 | 18.4 | 20.5 | M20*2.5  |
| 7.5t/10t   | 222.2 | 49.5 | 49.5 | 50.8 | 120.7 | 25.3 | 101.6 | 47.5 | 24.7 | 26.9 | M24*2    |



Order example:

2 x LCG04 - 5klb

Quantity      Model      Capacity

Email to [sales@loadcellsensor.com](mailto:sales@loadcellsensor.com) for a quote

| Capacity         | L     | W    | H    | L1   | L2    | L3   | L4    | h1   | h    | D    | M         |
|------------------|-------|------|------|------|-------|------|-------|------|------|------|-----------|
| 1klb             | 130   | 30.7 | 30.2 | 25.4 | 76.2  | 12.7 | 57.1  | 24.8 | 15.1 | 13.5 | 1/2-20UNF |
| 1.5/2klb         |       |      | 26   |      |       |      |       |      |      |      |           |
| 2.5klb           |       | 31.3 | 31.3 |      |       |      |       | 27   | 15.6 |      |           |
| 3/5klb           |       |      |      |      |       |      |       | 29.2 |      |      |           |
| 5.0/7.5/10/15klb | 171.5 | 36.8 | 36.8 | 38.1 | 95.2  | 19.1 | 76.2  | 32.8 | 18.4 | 19.8 | 3/4-16UNF |
| 20klb            | 222.2 | 49.5 | 49.5 | 50.8 | 120.7 | 25.3 | 101.6 | 47.5 | 24.7 | 26.9 | 1-12UNF   |

5klb and 5.0klb refers to two different sizes of 5klb capacity.

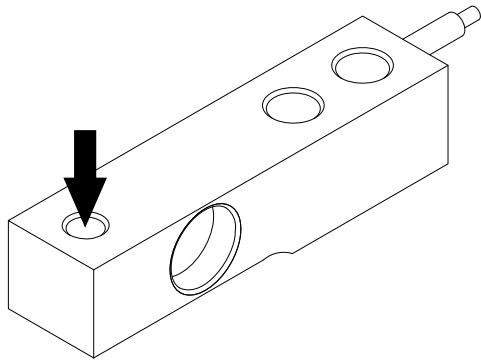
| Specifications   |   |                       |                  |
|------------------|---|-----------------------|------------------|
| Rated Capacity   | 0.5/1/1.5/2/2.5/3/5/7.5/10t<br>1/1.5/2/2.5/3/5/5.0/7.5/10/15/20 klb |                       |                  |
| Rated Output     | 3.0±0.008 mV/V  | Compensated Temp.     | -10...+40°C      |
| Excitation       | 3~15V   | Operating Temp.       | -30...+70°C      |
| Zero Balance     | ±0.03 mV/V  | Temp. Coeff. of Zero  | ±0.002% F.S./°C  |
| Nonlinearity     | ±0.02% F.S.   | Temp. Coeff. of Span  | ±0.002% F.S./°C  |
| Hysteresis       | ±0.02% F.S.   | Input Resistance      | 352±10 Ohms      |
| Nonrepeatability | ±0.02% F.S.   | Output Resistance     | 352±3 Ohms       |
| Creep(30min)     | ±0.02% F.S.   | Insulation Resistance | >2000M Ohms(50V) |
| Safe Load Limit  | 150% F.S.   | IP Rating             | IP68             |
| Breaking Load    | 250% F.S.   | Element Material      | Stainless steel  |
| Cable            | Ø5*6000mm 4-conductor shielded cable                                |                       |                  |

• LCS reserves the right to modify its design and specifications without notice

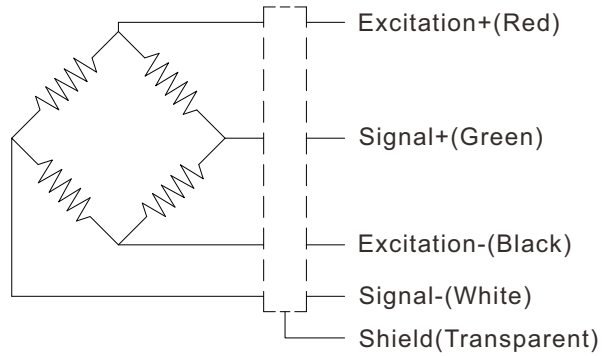




Load direction

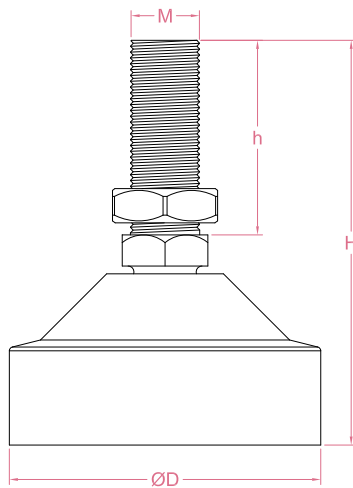
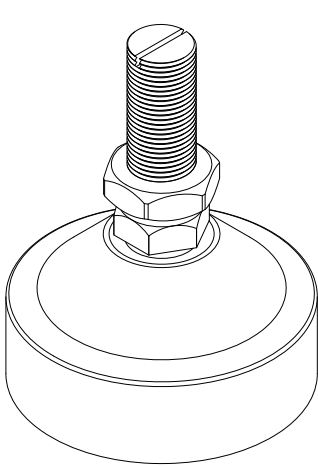


Wiring Code

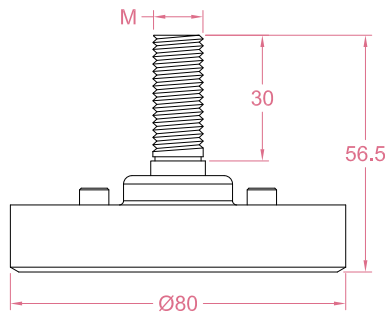
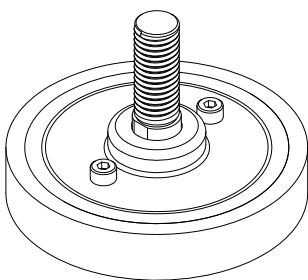


Shield is NOT connected to the sensor body

Load cell foot



| Item No.                             | D  | H   | h  | M         |
|--------------------------------------|----|-----|----|-----------|
| LCG04-A                              | 60 | 92  | 50 | 1/2-20UNF |
| LCG04-B                              |    |     |    | M12*1.75  |
| LCG04-C                              | 80 | 105 | 50 | M20*2.5   |
| LCG04-D                              |    |     |    | 3/4-16UNF |
| Material: Stainless steel and rubber |    |     |    |           |



| Item No.                             | M         |
|--------------------------------------|-----------|
| LCG04-E                              | 1/2-20UNF |
| LCG04-F                              | M12*1.75  |
| Material: Stainless steel and rubber |           |

