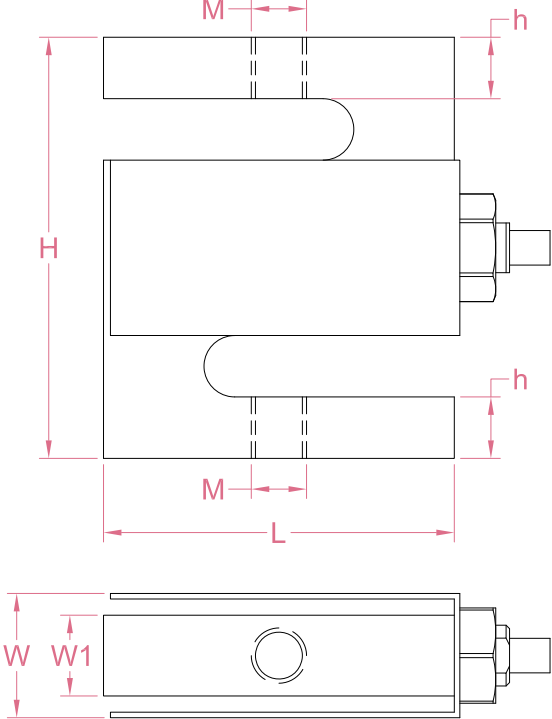




Dimensions in "mm"



Capacity	L	H	W	W1	h	M
50~300lb	50.8	61	18	11.7	8.9	1/4-28UNF
500~1500lb	50.8	61	25	18	8.9	1/2-20UNF
2/2.5klb	50.8	61	31	24.4	8.9	1/2-20UNF
3klb	76.2	99.1	31	24.4	14	1/2-20UNF
5klb	76.2	99.1	31	24.4	14	3/4-16UNF
10klb	74.7	99.1	38	30.7	15.7	3/4-16UNF
15klb	87.4	139.7	45	37.1	27.5	1-14UNS
20klb	112.8	177.8	50	42.9	39.9	5/4-12UNF

Order example:

2 x LCS13 - 100lb

Quantity      Model      Capacity

Email to [sales@loadcellsensor.com](mailto:sales@loadcellsensor.com) for a quote

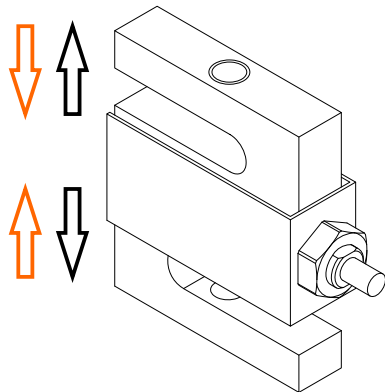
Specifications			
Rated Capacity	50/100/200/300/500/1k/1.5k/2k/2.5k/3k/5k/10k/15k/20k lb		
Rated Output	3.0±0.008 mV/V	Compensated Temp.	-10...+40°C
Excitation	3~15V	Operating Temp.	-30...+70°C
Zero Balance	±0.03 mV/V	Temp. Coeff. of Zero	±0.002% F.S./°C
Nonlinearity	±0.02% F.S.	Temp. Coeff. of Span	±0.002% F.S./°C
Hysteresis	±0.02% F.S.	Input Resistance	430±60 Ohms
Nonrepeatability	±0.015% F.S.	Output Resistance	352±5 Ohms
Creep(30min)	±0.02% F.S.	Insulation Resistance	>2000M Ohms(50V)
Safe Load Limit	150% F.S.	IP Rating	IP67
Breaking Load	250% F.S.	Element Material	Stainless steel
Cable	Ø5*6000mm 4-conductor shielded cable		

• LCS reserves the right to modify its design and specifications without notice

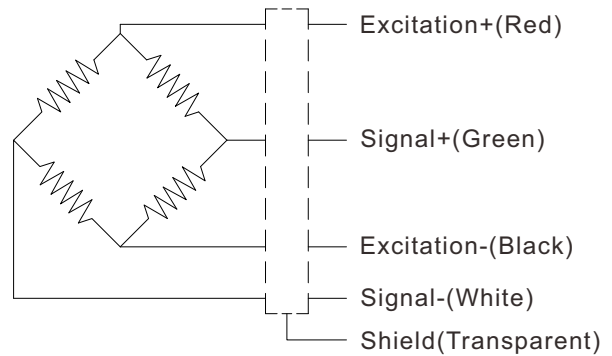




Load direction



Wiring Code@Compression



Shield is NOT connected to the sensor body

Sensor/Amplifier/Indicator

Items	Power supply	Output/Function
LCS13	3-15V (Constant)	-45mV...+45mV (Depending on the power supply)
LCS13 + Analog amplifier	12~24V DC	0-3.3V,0-5V,0-10V,0-2.5-5V,0-5-10V -3.3-3.3V,-5-5V,-10-10V 0-20mA,4-20mA,4-12-20mA...
LCS13 + Digital amplifier	12~24V DC	RS485 or RS232 output
LCS13 + Indicator	12~24V DC	Display force value Switch/Relay output Peak holding RS485/RS232 interface 0-5V/0-10V/4-20mA output

[Email us for datasheet of amplifier and indicator](#)

