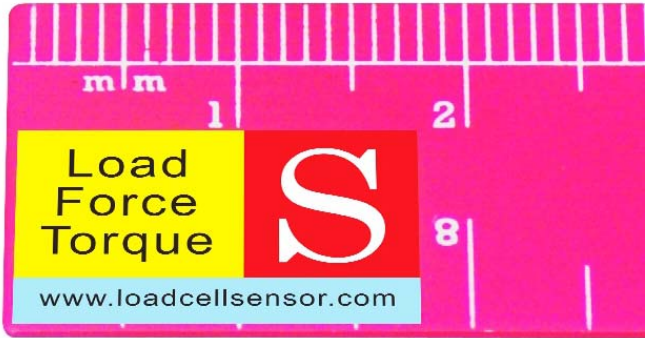
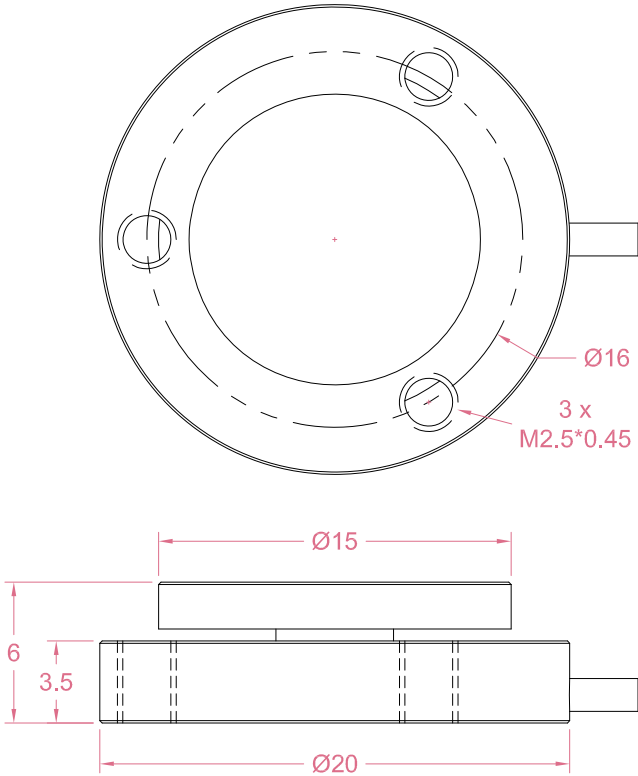




Dimensions in "mm"



Order example:

2 x LCB08 - 100N

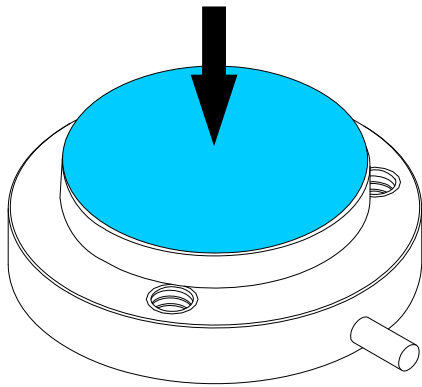
Quantity    Model    Capacity  
 Email to [sales@loadcellsensor.com](mailto:sales@loadcellsensor.com) for a quote

| Specifications   |                               |                       |                  |
|------------------|-------------------------------|-----------------------|------------------|
| Rated Capacity   | 50/100/200/500 N              |                       |                  |
| Rated Output     | 0.8~1.5 mV/V                  | Compensated Temp.     | 0...+40°C        |
| Excitation       | 3~12V                         | Operating Temp.       | -20...+60°C      |
| Zero Balance     | ±0.1 mV/V                     | Temp. Coeff. of Zero  | ±0.05% F.S./°C   |
| Nonlinearity     | ±1% F.S.                      | Temp. Coeff. of Span  | ±0.05% F.S./°C   |
| Hysteresis       | ± 1% F.S.                     | Input Resistance      | 1000±100 Ohms    |
| Nonrepeatability | ±0.5% F.S.                    | Output Resistance     | 1000±100 Ohms    |
| Creep(5min)      | ±0.3% F.S.                    | Insulation Resistance | >2000M Ohms(50V) |
| Safe Load Limit  | 150% F.S.                     | IP Rating             | IP64             |
| Breaking Load    | 180% F.S.                     | Element Material      | Stainless steel  |
| Cable            | Ø1.2*3000mm 4-conductor cable |                       |                  |

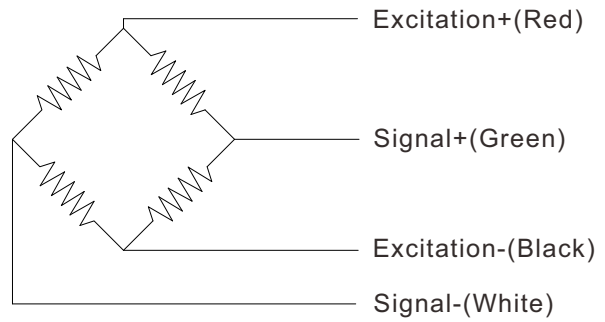
• LCS reserves the right to modify its design and specifications without notice



Load direction



Wiring Code



Shield is NOT connected to the sensor body

### Sensor/Amplifier/Indicator

| Items   | Power supply        | Output/Function   |
|---|---------------------|---|
| LCB08   | 3-12V<br>(Constant) | 0...+18mV<br>(Depending on the power supply)  |
| LCB08<br>+<br>Analog amplifier                                    | 12~24V DC           | 0-3.3V,0-5V,0-10V,<br>0-20mA,4-20mA...  |
| LCB08<br>+<br>Digital amplifier                                   | 12~24V DC           | RS485 or RS232 output   |
| LCB08<br>+<br>Indicator   | 12~24V DC           | Display force value<br>Switch/Relay output<br>Peak holding<br>RS485/RS232 interface<br>0-5V/0-10V/4-20mA output |
| <a href="#">Email us for datasheet of amplifier and indicator</a> |                     |   |